



ERMANNNO BALZI



ERMANNNO BALZI

The company



The firm **ERMANNNO BALZI**, benefitting from a long experience in the construction of moulds for plastic materials, researches and produces new solutions for their components, aiming to facilitate the processes and reduce the times and costs of fabrication.

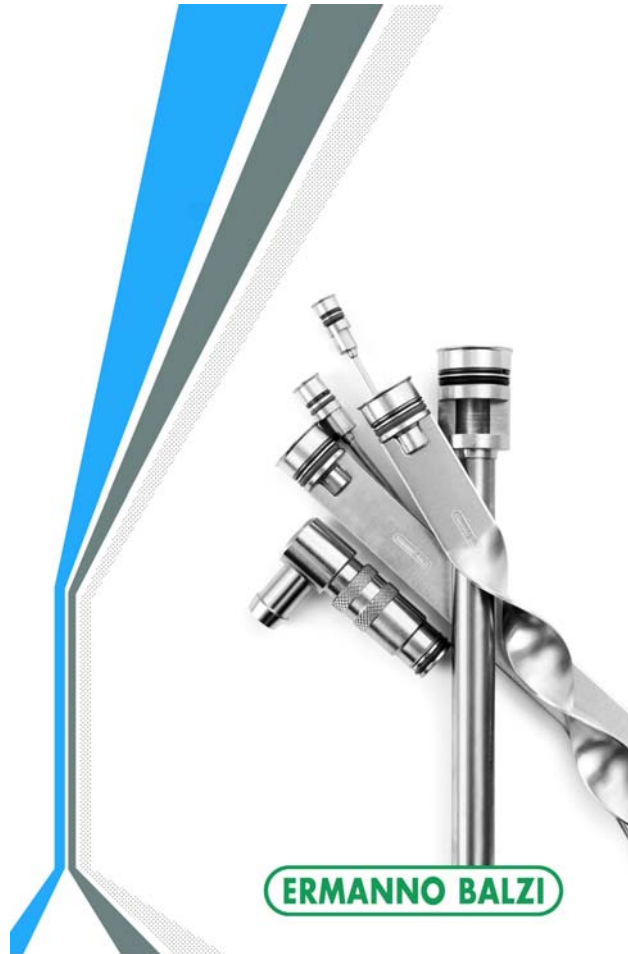
Our products developmen policy is driven by **INNOVATION** and **COST-BENEFIT EVALUATION**

ERMANNNO BALZI standard components are well known and appreciated on European Market from **more than 15 years**

Due to his Sales Network, **ERMANNNO BALZI** will be a precious Partner for you during all the lifetime cycle of your Mould

ERMANN BALZI

Products Range



ERMANN BALZI

COOLING SYSTEM



ERMANN BALZI

EJECTION SYSTEMS

ERMANN BALZI

Products Range



ERMANN BALZI

MARKING ELEMENTS



ERMANN BALZI

EQUIPMENTS



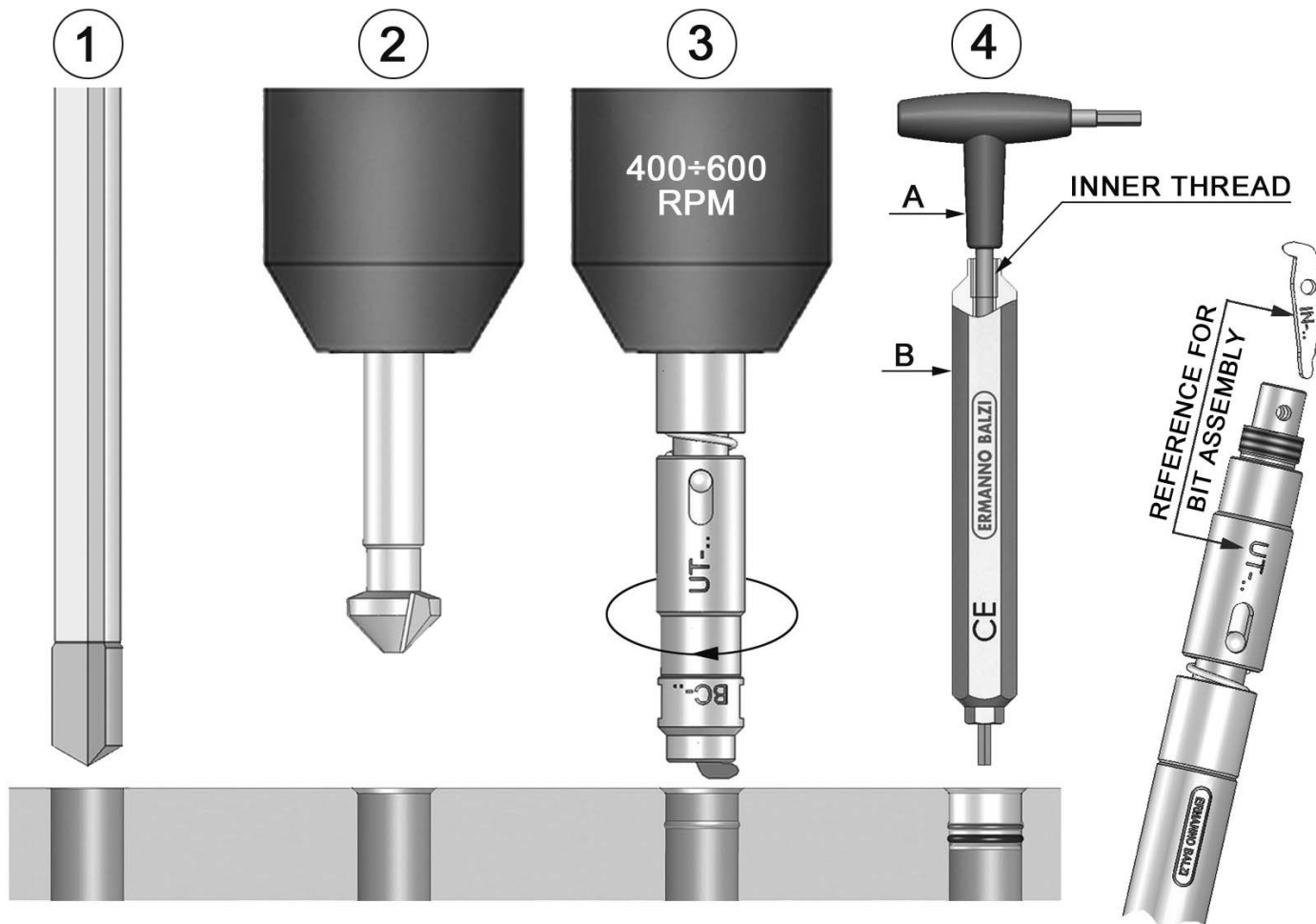
ERMANN BALZI



Cooling system

- The company proposes a complete line of **products for the preparation of circuits for conditioning of injection moulds**
- This line is characterized by a patented technology which allows a considerable speeding up of operations both of working and assembly of the mould in addition to a simplification of maintenance.

Cooling system



Cooling system

- Main advantages of our solution:
 - Save time during the preparation and maintenance of the mould
 - Normalization of the quality of your cooling circuits
 - Safety against pressure and leakage
 - Plastic series: till 100°C and 30bar
 - Steel series: till 150°C and 100bar

Cooling system

- Comparison between standard solution and Ermanno Balzi cooling system. Feel the difference!

	Other Systems		Ermanno Balzi
Plug	Threaded plugs	Threaded plugs	Balzi plugs
Time to machine the Seat	Average 7,5 min (manual)	Average 1 min (machine)	Average 0,5 min
Time to apply the plug	Average 3,5 min	Average 3,5 min	Average 0,5 min
Total time	Average 11 min	Average 4,5 min	Average 1 min

Cooling system

	Other Systems	Ermanno Balzi
Other Costs	Threading tap tool, sealing glue – Teflon	Balzi tool
Disadvantages	Need of a qualified operator, not normalized solution, difficult to remove	Change of technology
Benefits	Already in use technology	Avoid thread operations and costs, space savings, easy assembly and disassembly, multiple use, normalization of the seat for all kind of cooling elements (baffles, bubbles, plugs...)
Tool Life	Known	Thousand of application before replacement of the recess insert

Cooling system



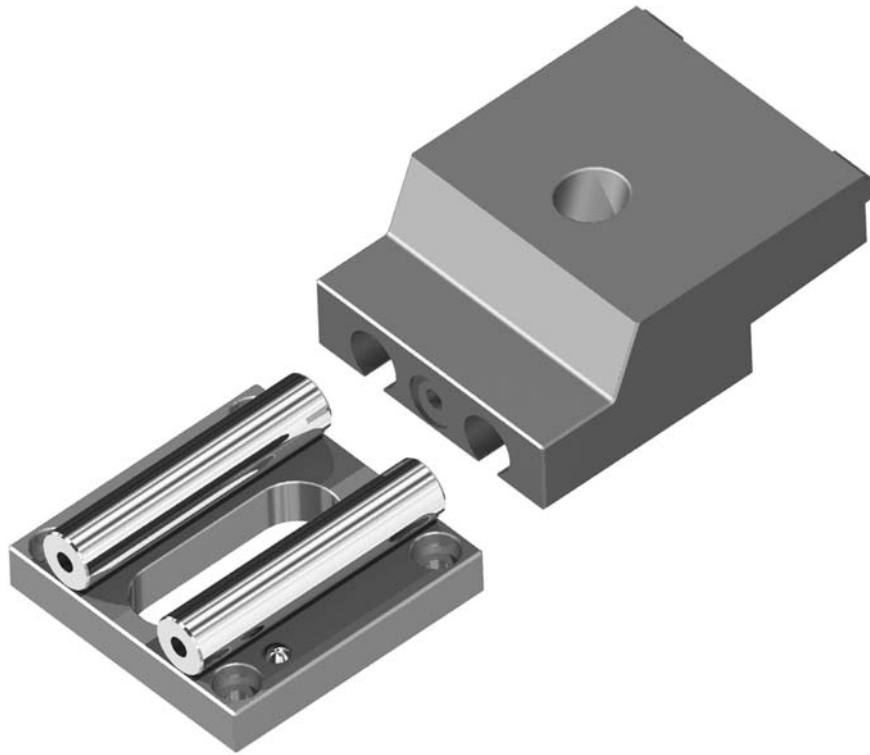


Ejection Systems

- This product category includes innovative solutions for the moving of mechanical parts and moulded elements
 - Compact **Two stage ejector** system
 - Special Air Valves: **needle valves** and **Anti-filling valves**
 - **Modular System for slides with cylindrical guides**
 - **Sliding Plates with integrated slide retaining system**
- These products will give you **space** and **cost advantages** to design and realize your Moulds

Ejection Systems

Focus on Standard Slide

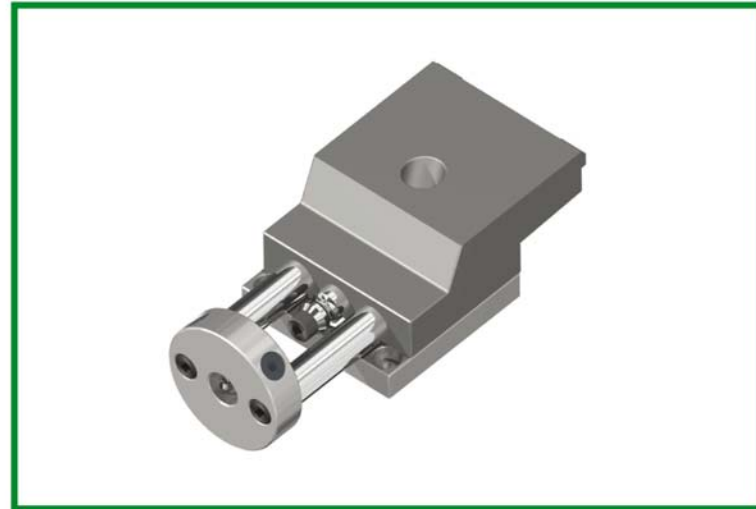
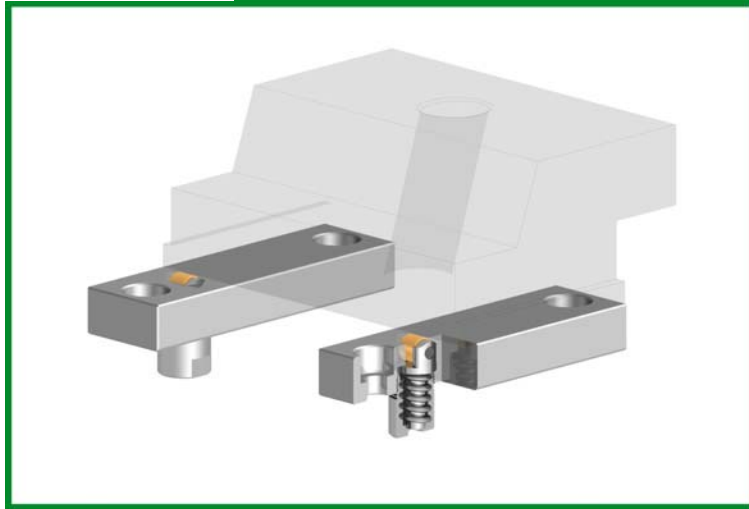


This is the only system on the market that can **STANDARDIZE** your slides, warranting **FLEXIBILITY, QUALITY** and **COST REDUCTION**

Ejection Systems

- Modular system for all sizes **from 20 to 220 mm**
- **Compact design**, thanks to the elimination of external guides
- Extended guides available **without stroke limit**
- Possibility to apply a **special roud slide retainer** to the cylindrical guides
- Spring loaded **integrated slide retainer device** up to 40kg
- Make your design easy and fast: **Choose your solution on our net site and download the 3d model**

Ejection Systems





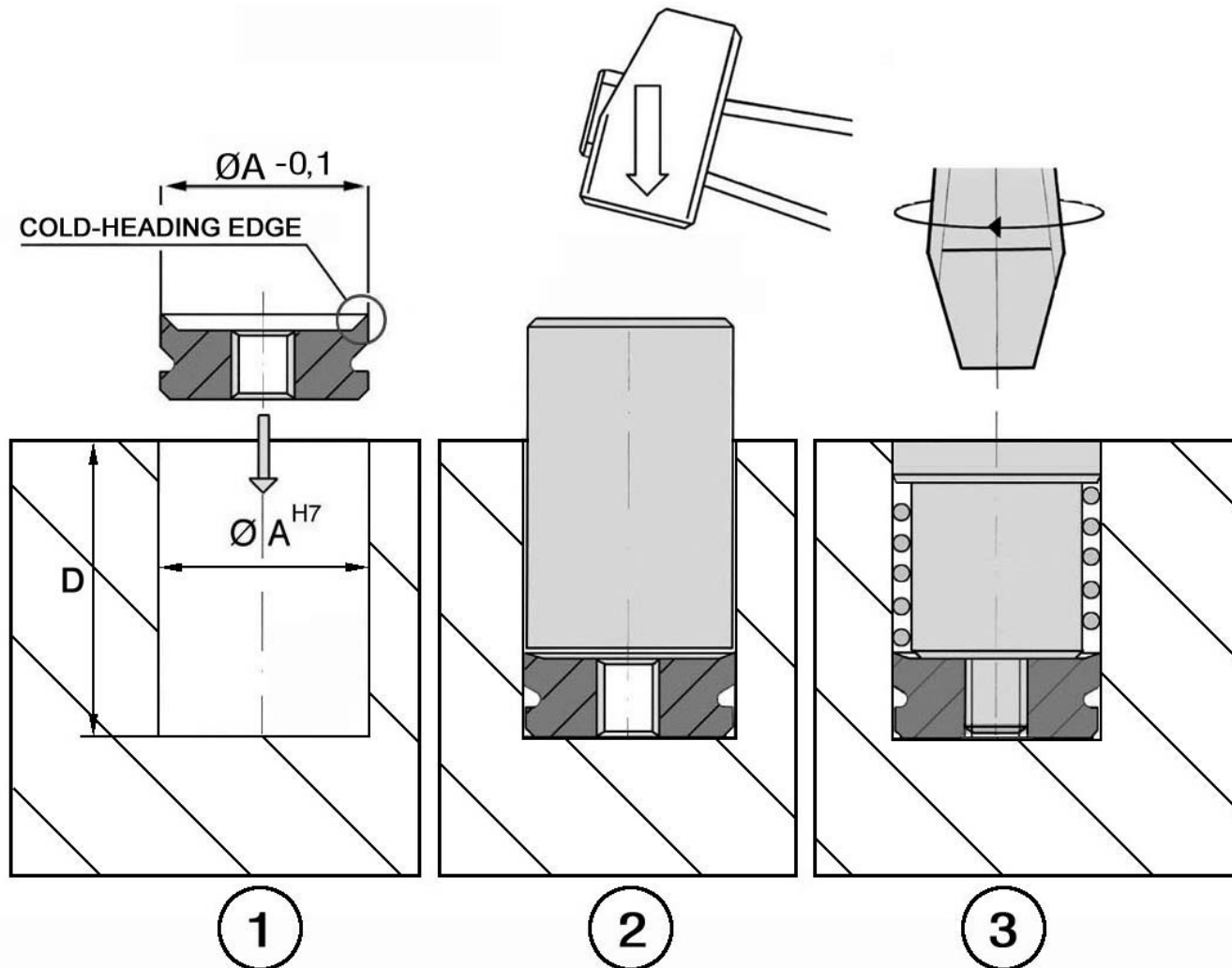
ERMANNNO BALZI



Marking elements

- Ermanno Balzi elements for recycling, marking and traceability has an innovative application system, that allows to assemble and disassemble from the front side of the mould, making easier the maintenance of your mould

Marking elements





ERMANNNO BALZI



Equipments

- Our range of testing and maintenance equipments:
 - Cooling circuits test station
 - Hydraulic cylinder test station
 - Descaling machine for cooling circuits
 - Faceting machine of ejector pins

Equipments

